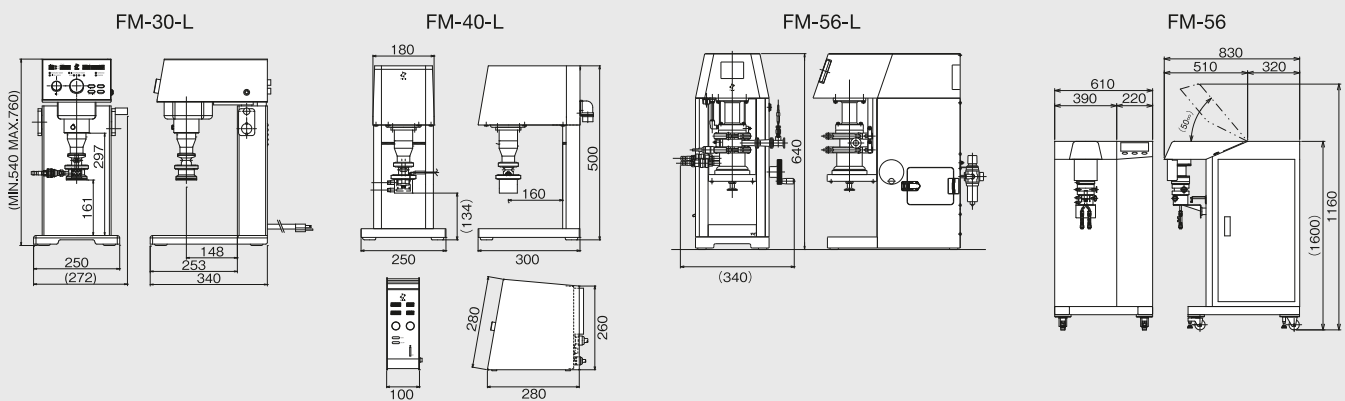


## Product Specifications

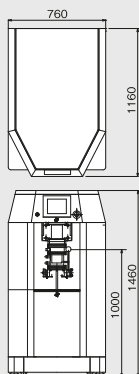
Model		FM-30-L	FM-40-L	FM-56-L	FM-56
Working Capacity	Batch	7~13mL	15~30mL	50~90mL	50~90mL
	Continuous	—	—	Approx. 11L/h	Approx. 11L/h
Power Supply	Voltage	AC 95~110V 50/60Hz Single Phase	AC 200V 50/60Hz Single Phase 15A	AC 200V 50/60Hz 3 Phase	AC 200V 50/60Hz 3 Phase
	Cable	1.5m	1.5m	2m	5m
	Plug	Grounded 2P, 125V, 15A	Grounded 3P, 250V, 20A	Grounded 3P, 250V, 30A	Grounded 3P, 250V, 30A
Motor (kW)		0.75	0.75	3.7	7.5
Main Material of Wetted Parts	Standard	Ceramics	SUS304	SUS304	SUS304
	Optional	SUS304	Ceramics	Ceramics	Ceramics
Control Panel	Type	Controller	Controller (Separate Unit)	Touch panel	Touch panel
	Display	Speed (r/min) run time, temp., power output, motor load, errors	Speed (m/s), temp., current, run time, errors	Speed (m/s), temp., current, power output, run time, errors	Speed (m/s), temp., current, run time, errors
	Operation	Start/Stop	Start/Stop	Start/Stop	Start/Stop
	Settings	Speed (r/min), timer	Speed (m/s), timer	Speed (m/s), timer, error temp.	Speed (m/s), timer, error temp.
	Data Logging	SD Card	SD Card	USB drive	N/A
Approx. Weight (kg)		23	Main Unit: 18.5 Controller: 3.5	49	220
Utilities	Seal Gas	—	—	Dry Air or N <sub>2</sub> gas	Dry Air or N <sub>2</sub> gas
	Jacket Cooling Water	Cold water Supply temp: 5~10°C Recommended cooling Power: 450W	Cold water Supply temp: 5~10°C Recommended cooling Power: 900W	Cold water Supply temp: 5~10°C Recommended cooling Power: 3.7kW	Cold water Supply temp: 5~10°C Recommended cooling Power: 7.5kW



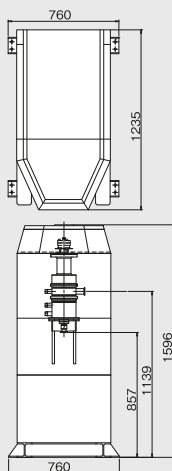
## Product Specifications

Model		FM-80	FM-125	FM-156	FM-220	FM-252
Working Capacity	Batch	100~250mL	0.4~1L	0.8~2L	2~5L	3.2L~8L
	Continuous	Approx. 30L/h	Approx. 120L/h	Approx. 240L/h	Approx. 600L/h	Approx. 960L/h
Power Supply	Voltage	AC 200V 50/60Hz 3 Phase	AC 200V 50/60Hz 3 Phase	AC 400V 50/60Hz 3 Phase	AC 400V 50/60Hz 3 Phase	AC 400V 50/60Hz 3 Phase
	Cable	5m	—	—	—	—
	Plug	—	—	—	—	—
Motor (kW)		15	37	55	90	120
Main Material of Wetted Parts	Standard	SUS304	SUS304	SUS304	SUS304	SUS304
	Optional	Ceramics	Ceramics	Ceramics	Ceramics	Ceramics
Control Panel	Type	Touch panel	Touch panel	Touch panel	Touch panel	Touch panel
	Display	Speed (m/s), temp., current, run time, pressure, errors	Speed (m/s), temp., current, run time, pressure, errors	Speed (m/s), temp., current, pressure, errors	Speed (m/s), temp., current, pressure, errors	Speed (m/s), temp., current, pressure, errors
	Operation	Start/Stop, Vessel Lift Up/Down	Start/Stop, Vessel Lift Up/Down	Start/Stop, Vessel Lift Up/Down	Start/Stop, Vessel Lift Up/Down	Start/Stop, Vessel Lift Up/Down
	Settings	Speed (m/s), timer, error temp., error pressure	Speed (m/s), error temp., error pressure	Speed (m/s), error temp., error pressure	Speed (m/s), error temp., error pressure	Speed (m/s), error temp., error pressure
	Data Logging	CF Card	Optional	Optional	Optional	Optional
Approx. Weight (kg)		400	800	1000	2800	3500
Utilities	Seal Gas	Dry Air or N <sub>2</sub> gas	Dry Air or N <sub>2</sub> gas	Dry Air or N <sub>2</sub> gas	Dry Air or N <sub>2</sub> gas	Dry Air or N <sub>2</sub> gas
	Jacket Cooling Water	Cold water Supply temp: 5~10°C Recommended cooling Power: 15kW	Cold water Supply temp: 5~10°C Recommended cooling Power: 37kW	Cold water Supply temp: 5~10°C Recommended cooling Power: 55kW	Cold water Supply temp: 5~10°C Recommended cooling Power: 90kW	Cold water Supply temp: 5~10°C Recommended cooling Power: 120kW

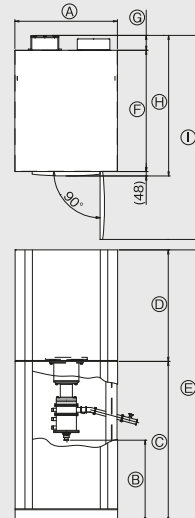
FM-80



FM-125



FM-156 ~ FM-252



Model	A	B	C	D	E	F	G	H	I
FM-156	1100	880	1730	1200	2930	1300	160	1460	2200
FM-220	1600	1020	1780	1730	3510	1500	350	1850	2400
FM-252	1600	1040	1780	1920	3700	1500	350	1850	2400

FM-80



FM-125



FM-156



FM-252

