



The washing screw.
LGNA.

Innovations for a **better world.**

BÜHLER

The washing screw.

Cost-effective washing and steeping.

Barley transportation, washing and steeping in one step, within the shortest possible time. Choose between different sizes with a throughput of 10 or 100 tons per hour.



Optimize your process.

The washing screw allows a faster and more homogenous pre-germination. A moisture content of the steeped grain of up to 25% after the first dry steeping can be achieved.

Microbiological and chemical contamination of the steeped grain is reduced, thanks to the effective countercurrent flow cleaning principle. The integrated floating barley skimming provides an efficient and economic cleaning of the grain.

Automatic cleaning (CIP) and the stainless steel design ensure a top hygiene in your process. The Bühler washing screw caters for the highest malt quality.

Benefits.

- Up to 50% savings of freshwater and 35% of wastewater
- Efficient cleaning of grain
- Fast and homogenous pre-germination
- High capacity
- Local service, spare parts and technical support

Save water.

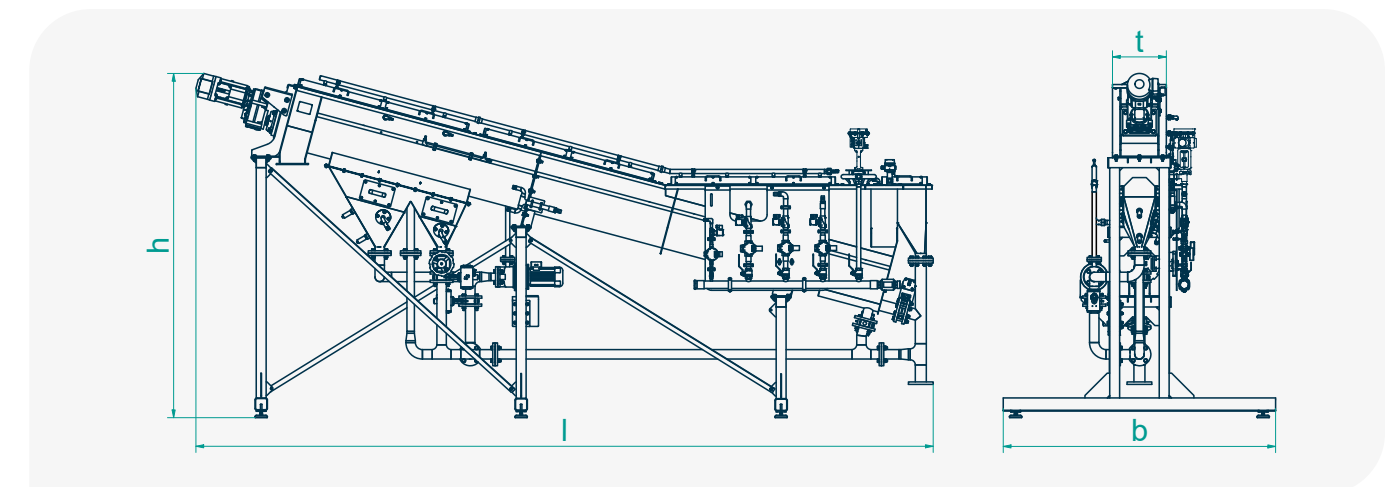
Compared to conventional cylindroconical steeps, you can achieve freshwater savings of up to 50% and wastewater savings of up to 35% with the washing screw.

Flexible and fast.

With a throughput of up to 100 tons per hour, filling of multiple steep houses with only one washing screw is possible.

Simply choose the throughput that suits best from our different types.

The compact design and flexible setup options also reduce your investment and construction costs.



		Washing screw 10	Washing screw 100
Length l	mm	6000	10500
Width b	mm	2200	2600
Height h	mm	2800	4700
Trough width t	mm	435	1630
Screw shaft	Number	1x	2x
Capacity barley	t/h	10	100
Screw diameter	mm	315	700
Screw length	mm	5000	9050
Pump size	kW	0.55	1.5
Size of drive motor	kW	3	2x 18.5
Fresh water requirement	m ³ /t (barley)	Down to 0.5*	Down to 0.5*
Waster water requirement	m ³ /t (barley)	0.35*	0.35*

*Depending on barley quality and water recirculation



Bühler GmbH

Eichstätter Str. 49
92339 Beilngries

T +49 8461 7010

grain-quality-supply@buhlergroup.com
buhlergroup.com

GQ_MF_Washingscrew_LGNA_EN_14277_01